

# DOUBLE OVEN ULTRA PRECISION OCXO MV360

**Features:**

- High stability vs. temperature: up to  $1 \times 10^{-11}$
- Standard frequency: 10.0 MHz
- Package size: 51x51x19 mm
- High long-term stability: up to  $\pm 1 \times 10^{-8}$ /year
- Power supply: 5 V and 12 V
- Available as RoHS
- Applications: 5G, Telecommunication, Test & Measurement

Supply voltage
5 V
12 V

## ORDERING GUIDE: MV360-C 003 D-12V-10.00

Availability of certain stability vs. operating temperature range		$\pm 1 \times 10^{-10}$	$\pm 5 \times 10^{-11}$	$\pm 3 \times 10^{-11}$	$\pm 2 \times 10^{-11}$	$\pm 1 \times 10^{-11}$
		01	005	003	002	001
A	0...+55°C	A	A	A	A	A
B	-10...+60°C	A	A	A	A	A
C	-20...+70°C	A	A	A	A	A
D	-40...+70°C	A	A	A	A	A
EU	-40...+75°C	A	A	A	A	A
EX*	-40...+85°C	A	A	A	A	A

Upon request: up to  $< 1 \times 10^{-11}$  at any 20°C window

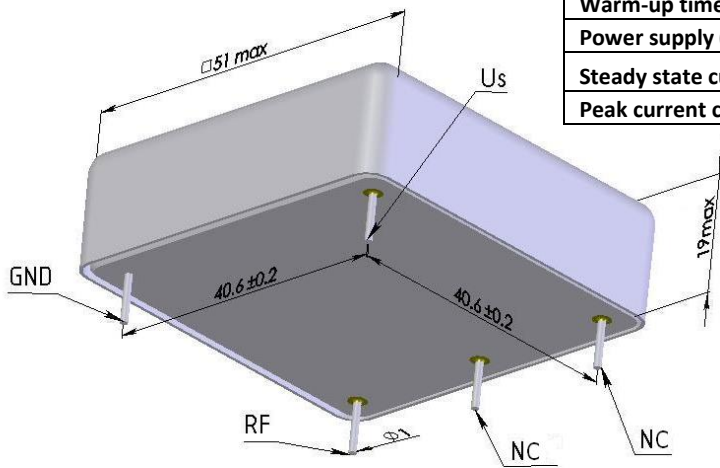
A – available

\*for 5V only (operable for 12V with  $< \pm 1.25 \times 10^{-8}$  vs. +75...+85°C, typ.)

Availability of certain aging values for certain frequencies		10 MHz
F	$\pm 5 \times 10^{-8}$ /year	A
E	$\pm 3 \times 10^{-8}$ /year	A
D	$\pm 2 \times 10^{-8}$ /year	A
C	$\pm 1 \times 10^{-8}$ /year	A

Phase noise, at offset	dBc/Hz
1 Hz	<-100
10 Hz	<-130
100 Hz	<-150
1000 Hz	<-155
10000 Hz	<-155 (<-160 for 12 V)

Short term stability (Allan deviation) per 1 sec:	< $2 \times 10^{-12}$	
Frequency stability vs. load changes ( $\pm 5\%$ )	< $\pm 1 \times 10^{-11}$	
Frequency stability vs. power supply changes ( $\pm 5\%$ )	< $\pm 1 \times 10^{-11}$	
Warm-up time within accuracy of $< \pm 5 \times 10^{-8}$ @ 25°C	<15 min.	
Power supply (Us)	5V $\pm 5\%$	12V $\pm 5\%$
Steady state current consumption @ +25°C	<800 mA	<300 mA
Peak current consumption during warm-up	<2 A	<1 A



Output	SIN
Level	>300 mV RMS
Load	50 Ohm $\pm 5\%$
Harmonic suppression	>30 dBc

Vibrations:	
Frequency range	10-200 Hz
Acceleration	5 g
Shock:	75 g/ 3 $\pm 1$ ms
Humidity @ 25 °C	98%
Storage temperature range	-55...+85°C

**Additional notes:**

For non-standard operating temperature ranges please use the following two letters designations (first letter for the lower limit, second letter for the upper limit), °C:

A	B	C	D	E	F	G	H	J	K	L	M	N	P	Q	R	S	T	U	W	X
-60	-55	-50	-45	-40	-30	-20	-10	0	+10	+30	+40	+45	+50	+55	+60	+65	+70	+75	+80	+85

