

# ULTRA-LOW NOISY DUAL FREQUENCY OCXO MV359

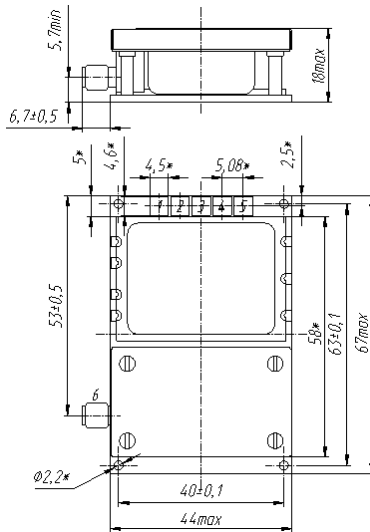
## Features:

- Output frequencies: 10 MHz and 100 MHz
- Frequency stability: up to  $\pm 1E-9$
- Operating temperature range:  $-40...+80^{\circ}\text{C}$
- Aging: up to  $<\pm 2E-8/\text{year}$
- Output signal: SIN
- Power supply: 12 V
- Short term stability ADEV:  $<1E-12$  at 1 s
- Package: 67x44x18 mm

## ORDERING GUIDE: MV359-B 3 F -100.0 MHz

Availability of certain stability vs. operating temperature range		$\pm 5 \times 10^{-9}$	$\pm 3 \times 10^{-9}$	$\pm 2 \times 10^{-9}$	$\pm 1 \times 10^{-9}$
		5	3	2	1
A	0...+50°C	A	A	A	A
B	-10...+60°C	A	A	A	C
C	-20...+70°C	A	A	C	C
D	-40...+70°C	A	A	C	C
EW	-40...+80°C	C	C	C	C

A – available, NA – not available, C – consult factory  
For other temperature ranges see designation at the end of Data Sheet



Pin	Function
1	Uref
2	Uin
3	VCC
4	RF OUT 10MHz (option) or NC
5	GND
6	RF OUT 100MHz (SMA)

Phase noise, dBc/Hz		
	10 MHz output (optionally)	100 MHz output
1 Hz	<-118	<-93
10 Hz	<-143	<-123
100 Hz	<-159	<-135
1 kHz	<-165	<-160
10 kHz	<-167	<-174
100 kHz	<-167	<-176

Aging	
F	$\pm 5 \times 10^{-8}/\text{year}$
E	$\pm 3 \times 10^{-8}/\text{year}$
D	$\pm 2 \times 10^{-8}/\text{year}$
C	$\pm 1 \times 10^{-8}/\text{year}$ (C)

Frequency stability vs. load changes	$<\pm 5 \times 10^{-10}$
Frequency stability vs. power supply changes	$<\pm 5 \times 10^{-10}$
Warm-up time within accuracy of $<\pm 1 \times 10^{-7}$ @ 25 °C	<3 min
Power supply (U s)	12V±5%
Steady state current consumption @ 25°C	< 320 mA
Peak current consumption during warm-up	<750 mA
Frequency pulling range (Positive slope)	$>\pm 4 \times 10^{-7}$
with external control voltage range (Uin)	0...+5

Output	SIN
Level for 10MHz	>4 dBm
Level for 100 MHz	>8 dBm
Load	50 Ohm±5%
Harmonics	<-30 dBc
Vibrations	10-200 Hz, 3g
Shock	75g//3±1ms
Storage temperature range	-55...+85°C
Package size	67x44x18 mm

## Additional notes:

- For non standard operating temperature ranges please use the following two letters designations (first letter for the lower limit, second letter for the upper limit), °C:

A	B	C	D	E	F	G	H	J	K	L	M	N	P	Q	R	S	T	U	W	X
-60	-55	-50	-45	-40	-30	-20	-10	0	+10	+30	+40	+45	+50	+55	+60	+65	+70	+75	+80	+85

